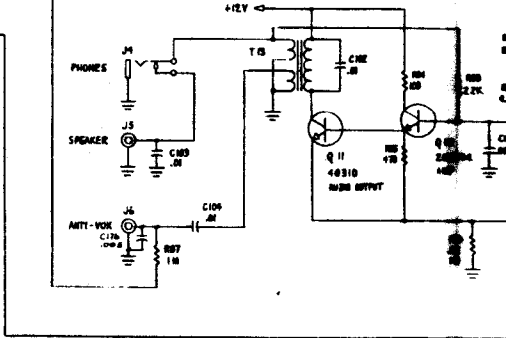
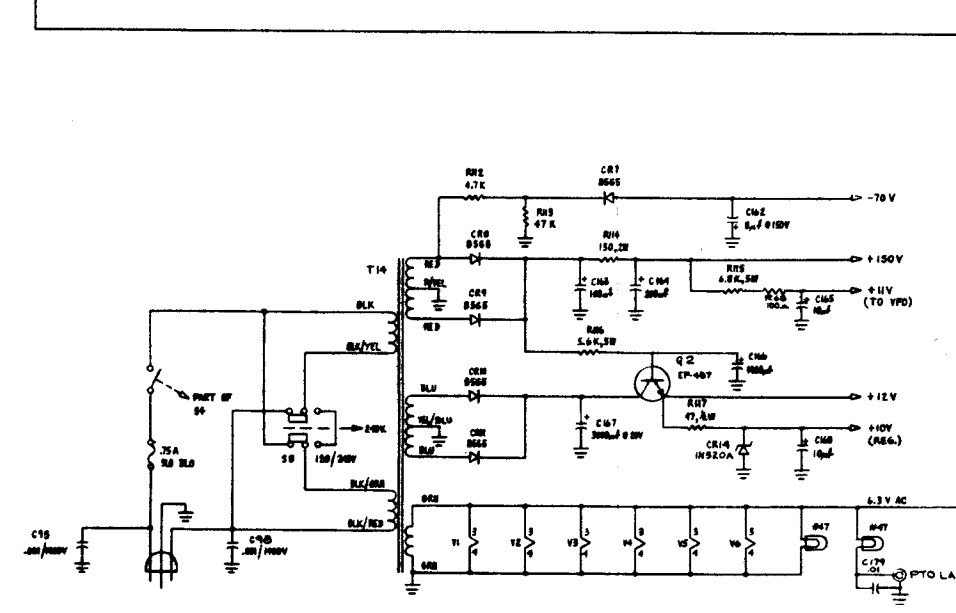
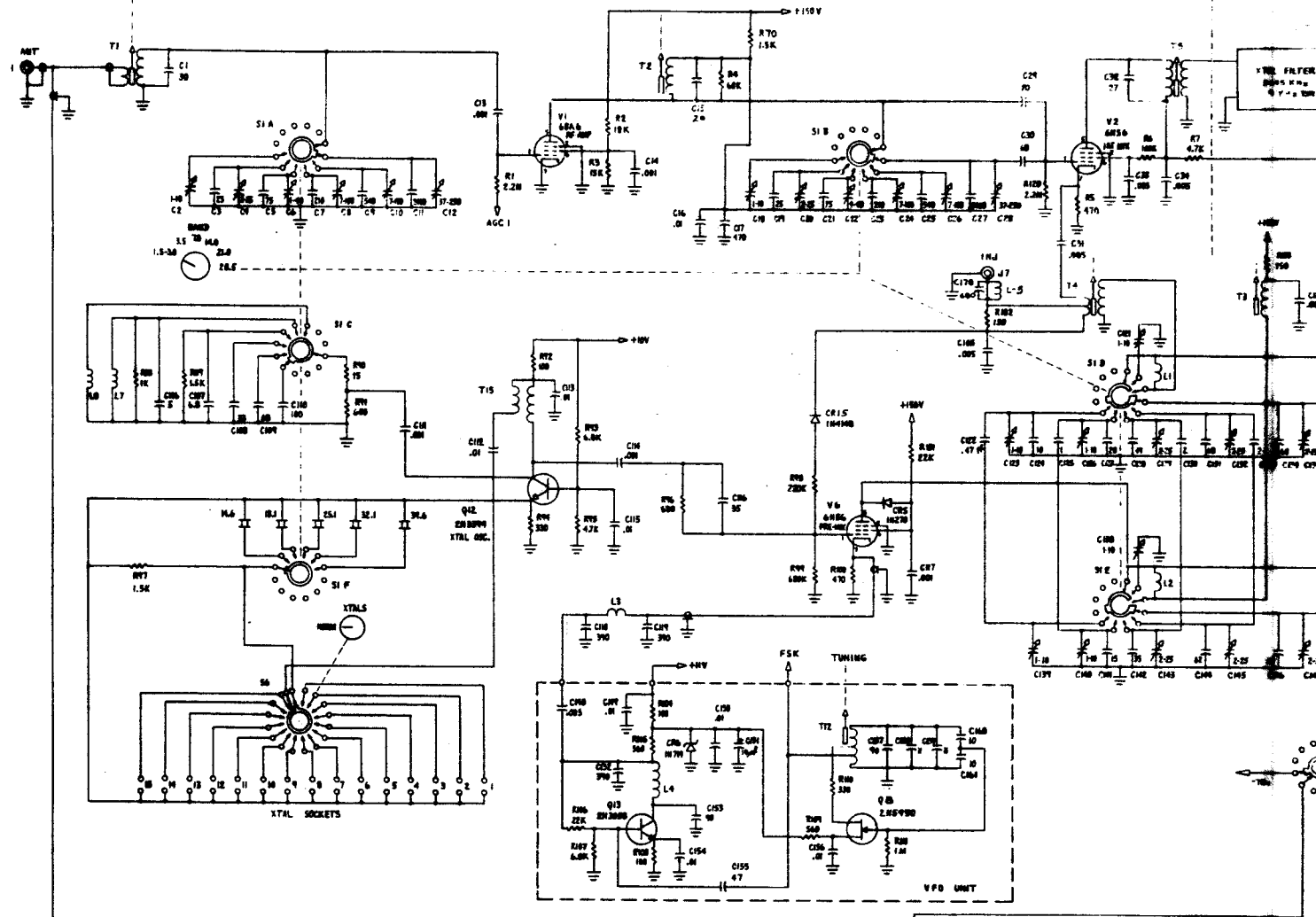


old
10/2

PRESELECTOR



- NOTES**
1. CAPACITORS MARKED 1 TO 300 ARE IN P.F. AND CAPACITORS FROM 300 ARE IN M.F. UNLESS NOTED OTHERWISE.
 2. R INDICATES VALUE SELECTED IN PRODUCTION.
 3. ALL ROTARY SWITCHES VIEWED FROM FRONT IN EXTREME (R) POSITION.
 4. HIGHEST RESISTOR - R134
 5. HIGHEST CAPACITOR - C180

SCHEMATIC DIAGRAM MODEL R 4C RECEIVER

old 282

R16 10meg in 2001

T7-CENTAP TAP IN NEW

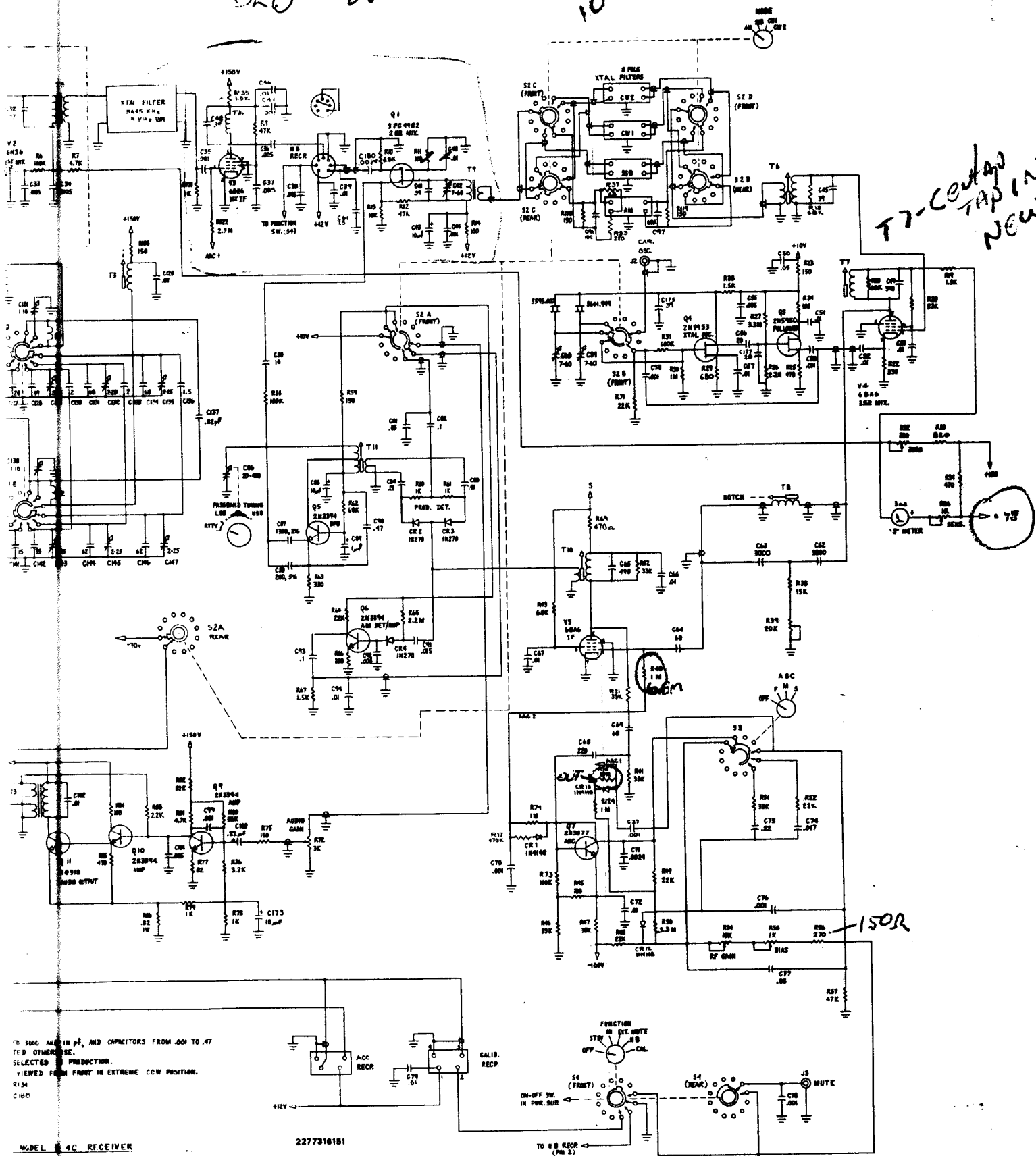


Figure 5-3. Schematic Daigram